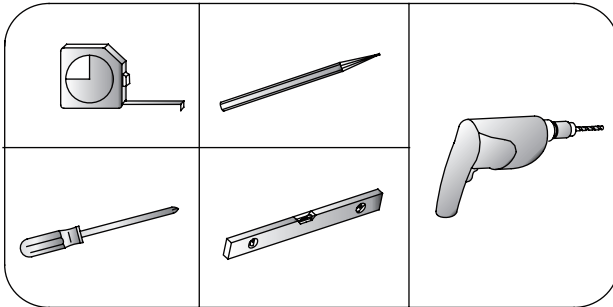
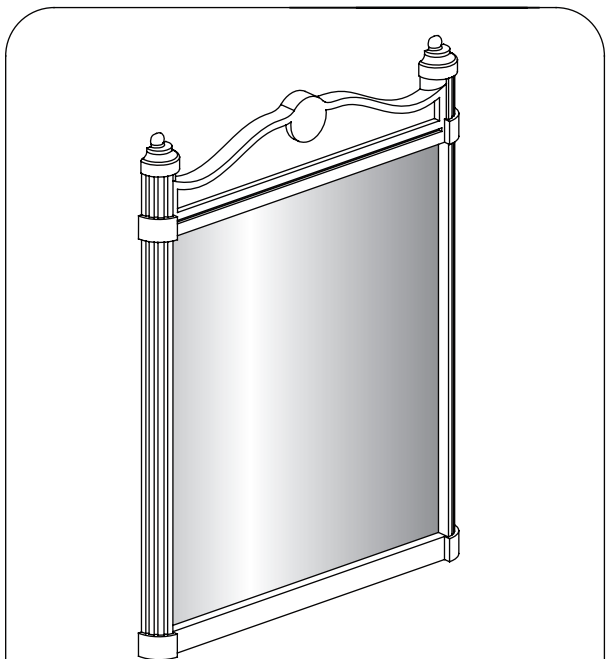


Tools required:



Parts supplied:



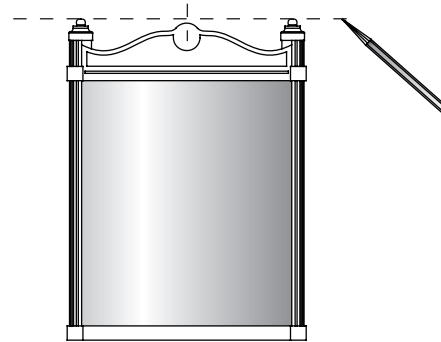
Mirror

1x

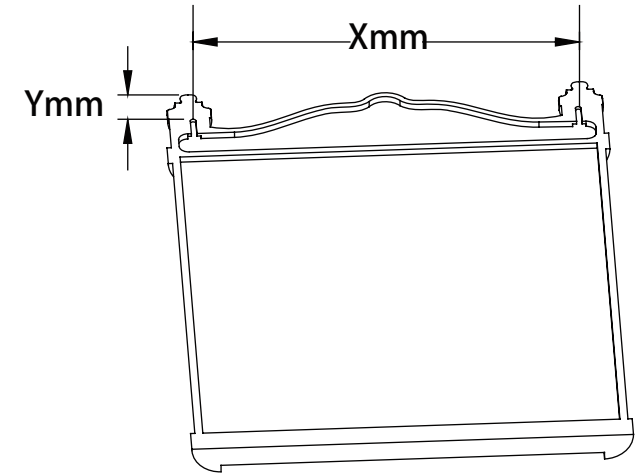


Wall fixings are not supplied. You will need to source depending on the material and strength of the wall you are fixing to.

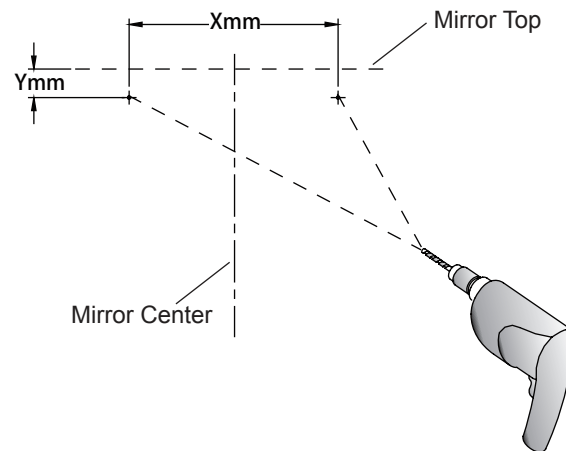
- 1** Ensure the mirror is level, and determine the final installation position.



- 2** Turn the mirror over, measure the X and Y distance separately. On the back of the mirror record the fixing hole positions shown as X and Y.



- 3** Mark out the fixing hole positions as diagram below. Drill holes and insert fixings.



- 4** Hang the mirror onto the wall with the fixing holes are aligned. Check for stability and level.

